



Transmitter with ModbusRTU output for the continuous measurement of differential pressure in a IP64 case.

Can be ordered as a variant with 1 or 2 dP sensors.

Bidirectional differential pressure sensors based on dynamic (massflow) measurement with absolute pressure sensor included.

Configuration with USB cable for Windows PC.

Configuration possible without external power supply.

Art.-Nr.:

2602230
2602231

Product-name:

nLink+ IP MR B 1*dp sensor ± 250 Pa
nLink+ IP MR BB 2*dp sensor ± 250 Pa

Technical data:

| | | | |
|-------------------------------|------------------------------------------------------------------------------------------------------------------------|-----------------------------------|-----------------------------------|
| Measurement Range | -250 to +250 Pascal | | |
| Accuracy at 20°C | Range ± 50 Pa: ± 0.20 Pa | Range ± 100 Pa: ± 0.25 Pa | Range ± 250 Pa: ± 0.50 Pa |
| Temperature effect | Max. ± 0.10 Pa | | |
| Max. Resolution | 0.1 Pa | | |
| Long term stability | $\pm 0.05\%$ FSS (typ) | | |
| Flow rate | <200ul/min | | |
| Ambient pressure dependency | Compensated with built in abs pressure sensor | | |
| Ambient pressure: Range | 700 – 1260 hPa / mBar | | |
| Ambient pressure: Accuracy | ± 0.5 hPa | | |
| Max. permissible overpressure | 2 bar (burst pressure 4 bar) | | |
| Power supply | 24V DC, Permissible voltage range: 5 to 39V | | |
| Power consumption | <0.5W | | |
| Display | none | | |
| Status LED | LED for power On, LED for nSens connected | | |
| Output | ModbusRTU (all climate values and diagnostic information as described in the Modbusregister) | | |
| Housing material | PC/ABS | | |
| Protection class | IP64 | | |
| Soldering material | lead free (RoHS compliant) | | |
| Working temperature | 0 to 50°C | | |
| Storage temperature | -10 to 60°C (non-condensing) | | |
| CE-/EMC | Safety: EN 61010-1:2020 EMC: IEC 61000-6-2:2016, EN 61000-6-2:2019 IEC 61000-6-3:2020, EN 61000-6-3:2007+A1:2011 | | |

Electrical installation:

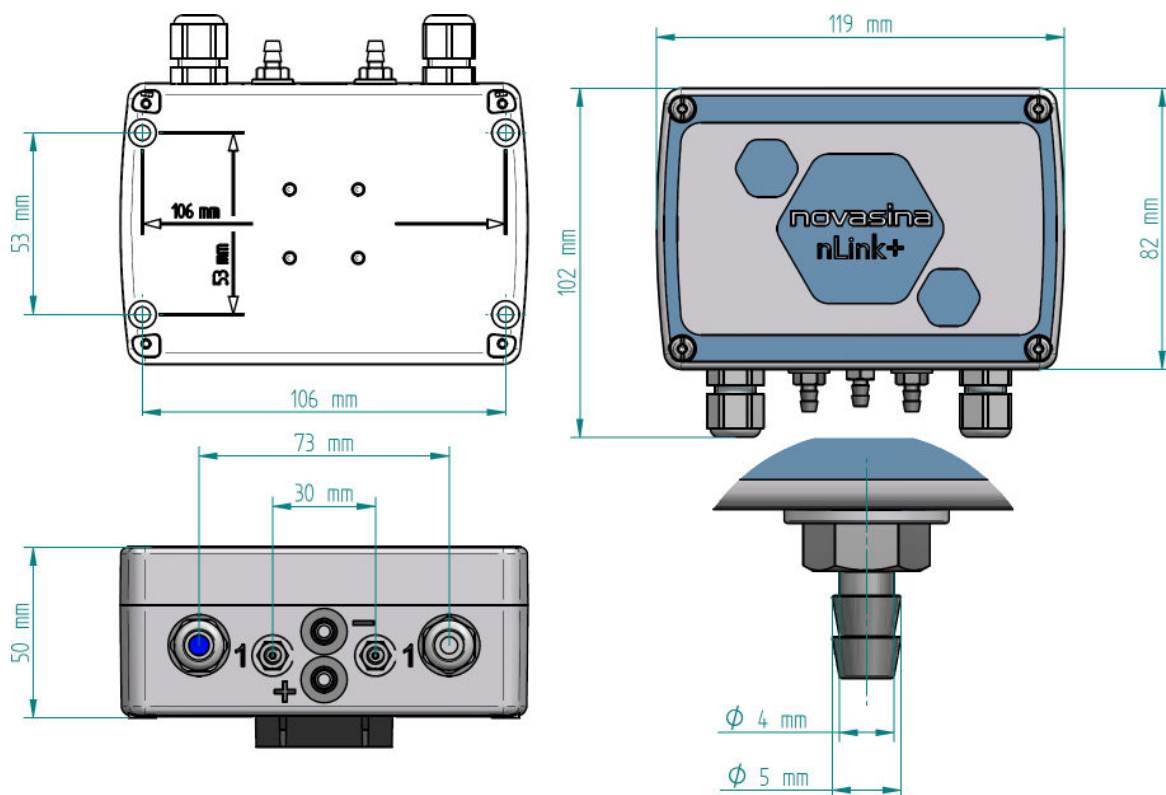
| | | |
|-----------------------|-------------------------------------------------|-----------------------------|
| Clamping range | 0.13 - 1.5mm ² (Push-in Spring clip) | |
| Wires | w. plastic collar ferrule DIN 46228/4: | 0,25 - 0.75 mm ² |
| | w. wire end ferrule DIN 46228/1: | 0,25 - 1.50 mm ² |
| | Solid, min. H05(07) V-U | 0.2 - 1.50 mm ² |
| | Wire connection cross section AWG28 - 14 | |

Cable specifications depend on the installation and have to be defined by the designer or installer. Heavy machinery and other instrumentation should not share the same power supply wiring. Use noise filters and surge protectors if required.

For EMC protection it is recommended to take the following measures:

- Wires emitting interference must be separated from measurement and analysis units
- Parallel guidance of measurement cables and electrical power cables must be avoided, use different channels with separation (see European Standard EN50170 for detailed information)

Dimension & Schematics:



More information & accessoires

[Link to Website>](#)



Technical data subject to change without prior notice